



Makita Werkzeug Ges.m.b.H.

Airportstr. 4, 2401 Fischamend

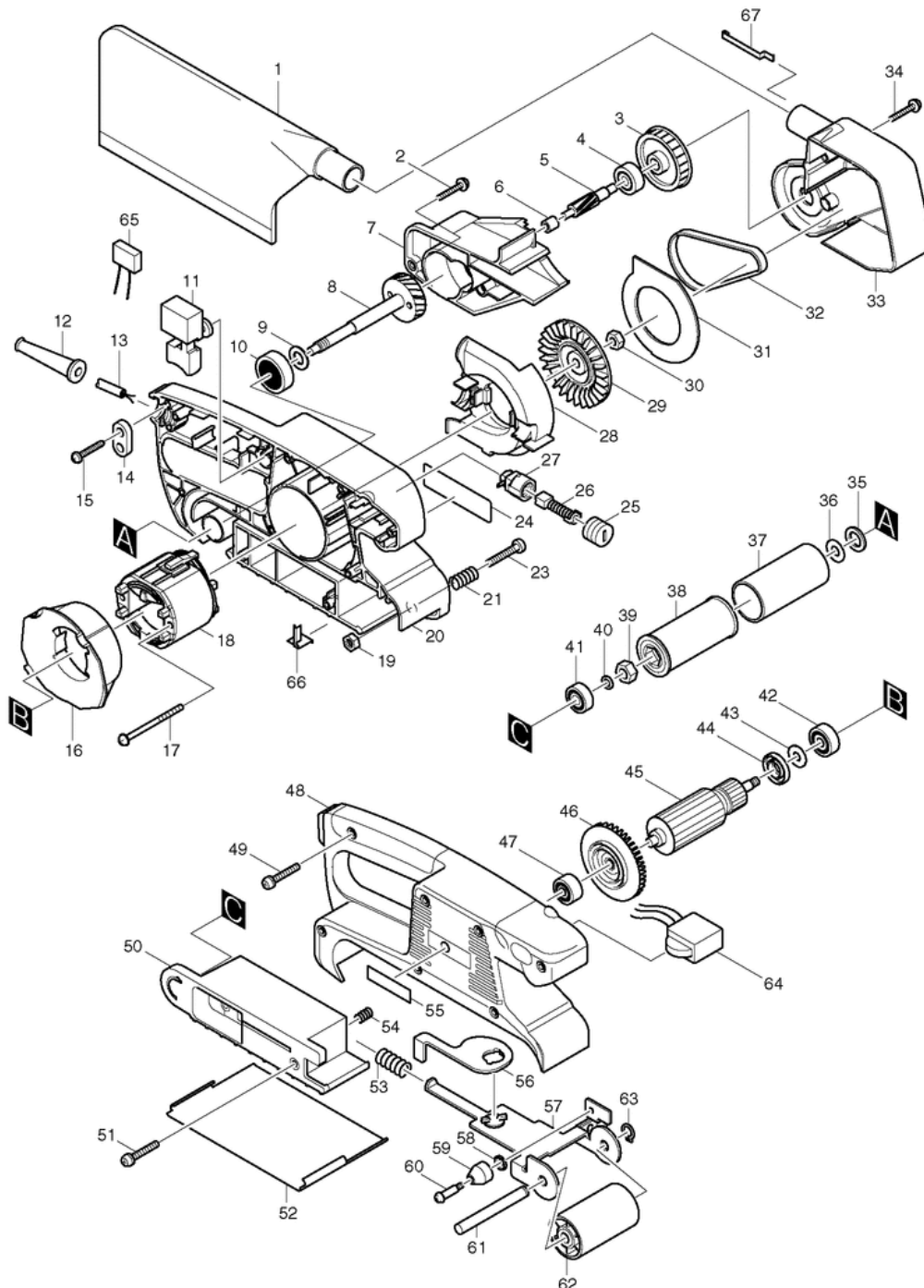
Tel: 02232 / 777 00

Fax: 02232 / 777 00 - 40

Mail: verkauf@makita.at

Web: www.makita.at

Makita Service Information / Model: 9911





Makita Werkzeug Ges.m.b.H.

Airportstr. 4, 2401 Fischamend

Tel: 02232 / 777 00

Fax: 02232 / 777 00 - 40

Mail: verkauf@makita.at

Web: www.makita.at

Makita Service Information / Model: 9911

POS	Bestell-Nr.	Artikelbeschreibung	Stk.	Stk.Preis
1	122548-3	DUST BAG ASS'Y	1	N/A
2	266119-7	TAPPING SCREW FLANGE PF 4X25	4	N/A
2	265999-8	SKRUTKA SAMOREZNÁ 4x25	4	N/A
2.2	265999-8	SKRUTKA SAMOREZNÁ 4x25	4	N/A
3	222144-8	REMENICA 8,5-45,1 9910	1	N/A
4	210005-4	LOŽISKO GULIČKOVÉ 608DDW	1	N/A
5	226494-3	KOLESO OZUBENÉ 6 9910/9911	1	N/A
6	212009-2	LOŽISKO IHLIČKOVÉ 509	1	N/A
7	416420-2	DOSKA	1	N/A
8	153252-3	OZUBENÉ KOLESO 31 9910/9911	1	N/A
9	253758-2	PODLOŽKA 10 253758-2	1	N/A
10	211061-7	LOŽISKO GULIČKOVÉ 6000LLB	1	N/A
11	651285-7	VYPINAC	1	N/A
11	650232-5	SWITCH TGL215CDT-1	1	N/A
11.2	650232-5	SWITCH TGL215CDT-1	1	N/A
12	682502-4	CHRANIC SNURY 8-85	1	N/A
13	666066-6	POWER SUPPLY CORD 1.0-2-2.5	1	N/A
13	665394-6	KÁBEL 1,0-2-2,5 9566CR/CVR	1	N/A
13.2	665394-6	KÁBEL 1,0-2-2,5 9566CR/CVR	1	N/A
14	687063-9	ODLAHCENIE TAHU SNURY	1	N/A
14	687052-4	DRŽIAK KÁBLA	1	N/A
14.2	687052-4	DRŽIAK KÁBLA	1	N/A
15	266121-0	TAPPING SCREW FLANGE PF	2	N/A
15	265995-6	SKRUTKA SAMOREZNÁ 4x18	2	N/A
15.2	265995-6	SKRUTKA SAMOREZNÁ 4x18	2	N/A
16	416418-9	BAFFLE PLATE	1	N/A
17	266114-7	TAPPING SCREW FLANGE PF 4X60	2	N/A
17	266052-3	SKRUTKA SAMOREZNÁ 4x60	2	N/A
17.2	266052-3	SKRUTKA SAMOREZNÁ 4x60	2	N/A
18	633393-6	STATOR 220 V 9910/9911 2419	1	N/A
19	931202-6	Skrutka M5	1	N/A
20	150958-4	KRYT MOTORA UPLNY 9910/9911	1	N/A
20		*** INC. 6,19		N/A
21	233219-8	PRUŽINA PRÍTLAČNÁ 6 9910/9911	1	N/A
23	911252-7	SKRUTKA 5X30 9910/9911	1	N/A
24	859230-8	NAME PLATE 9911	1	N/A
25	643550-8	VIECKO DRZIACA UHLIKOV 5-8	2	N/A
26	191940-4	UHLÍKY CB-411	1	N/A
27	643922-7	DRZIAK UHLIKOV	2	N/A
28	416416-3	SCROLL PLATE	1	N/A



Makita Werkzeug Ges.m.b.H.

Airportstr. 4, 2401 Fischamend

Tel: 02232 / 777 00

Fax: 02232 / 777 00 - 40

Mail: verkauf@makita.at

Web: www.makita.at

Makita Service Information / Model: 9911

POS	Bestell-Nr.	Artikelbeschreibung	Stk.	Stk.Preis
29	241660-1	KOLESO VENTILÁTORA 68 9910	1	N/A
30	252153-3	MATICA M6-10 9404,9910	1	N/A
31	344584-1	PLATNIČKA 9910/9911	1	N/A
32	225079-2	REMEŇ 6-300 9910/9911	1	N/A
33	416415-5	BELT COVER	1	N/A
33	183021-8	KRYT REMEŇA 9910/9911	1	N/A
33		*** INC. 67		N/A
33.2	183021-8	KRYT REMEŇA 9910/9911	1	N/A
33.2		*** INC. 67		N/A
34	266119-7	TAPPING SCREW FLANGE PF 4X25	4	N/A
34	265999-8	SKRUTKA SAMOREZNÁ 4x25	4	N/A
34.2	265999-8	SKRUTKA SAMOREZNÁ 4x25	4	N/A
35	267177-6	PODLOŽKA 12 9910/9911	1	N/A
36	253865-1	PODLOŽKA 8	1	N/A
37	422032-1	GUMOVE TESNENIE 29 9910/11	1	N/A
38	316971-4	VALEC	1	N/A
39	252154-1	MATICA M8-13 252154-1	1	N/A
40	253077-6	PODLOŽKA 6	1	N/A
41	210022-4	LOŽISKO GULIČKOVÉ 626DDW 9910	1	N/A
42	210023-2	LOŽISKO GULIČKOVÉ 627DDW	1	N/A
43	253823-7	PODLOŽKA 7	1	N/A
44	681648-3	INSULATION WASHER	1	N/A
44	681658-0	IZOLACNA PODLOZKA 9910/9911	1	N/A
44.2	681658-0	IZOLACNA PODLOZKA 9910/9911	1	N/A
45	517243-2	KOTVA UPLNA 220 V 9910	1	N/A
45		*** INC. 42-44,46,47		N/A
46	240008-4	KOLESO VENTILÁTORA 60	1	N/A
47	211021-9	LOŽISKO GULIČKOVÉ 607LLB	1	N/A
48	182982-9	KRYT MOTORA (p) 9911	1	N/A
48		*** INC. 55		N/A
49	266119-7	TAPPING SCREW FLANGE PF 4X25	7	N/A
49	265999-8	SKRUTKA SAMOREZNÁ 4x25	7	N/A
49.2	265999-8	SKRUTKA SAMOREZNÁ 4x25	7	N/A
50	416419-7	OPORNA PĀTKA 9910/9911	1	N/A
51	266119-7	TAPPING SCREW FLANGE PF 4X25	2	N/A
51	265999-8	SKRUTKA SAMOREZNÁ 4x25	2	N/A
51.2	265999-8	SKRUTKA SAMOREZNÁ 4x25	2	N/A
52	344586-7	OCELOVA DOSKA 9910/9911 1103	1	N/A
52	344586-7	OCELOVA DOSKA 9910/9911 1103	1	N/A
52.2	345503-0	+PLATŇA KOVOVÁ	1	N/A



Makita Werkzeug Ges.m.b.H.

Airportstr. 4, 2401 Fischamend

Tel: 02232 / 777 00

Fax: 02232 / 777 00 - 40

Mail: verkauf@makita.at

Web: www.makita.at

Makita Service Information / Model: 9911

POS	Bestell-Nr.	Artikelbeschreibung	Stk.	Stk.Preis
52.3	344586-7	OCELOVA DOSKA 9910/9911 1103	1	N/A
53	233221-1	PRUŽINA PRÍTLAČNÁ 12	1	N/A
54	231038-6	PRUŽINA PRÍTLAČNÁ 6 9910/9911	1	N/A
55	819063-3	MAKITA LABEL	1	N/A
56	344585-9	PAKA 9910/9911	1	N/A
57	150837-6	VALČEK ŠPANOVAČÍ 9910/9911	1	N/A
58	267731-6	KRYTKA 267731-6	1	N/A
59	416417-1	VALČEK ŠPANOVÁKA	1	N/A
60	265059-6	SKRUTKA	1	N/A
61	323776-5	OSKA 9910	1	N/A
62	152585-3	KLADKA NAPÍNACIA KPL. 9910/9911	1	N/A
63	961004-6	POISTNY KRUZOK S-8	1	N/A
64	631202-3	REGULAČNA ELEKTRONIKA	1	N/A
64	631678-4	CONTROLLER L03-1103 EQ	1	N/A
64.2	631678-4	CONTROLLER L03-1103 EQ	1	N/A
66	344703-9	PLATNIČKA	1	N/A
67	344701-3	EARTH PLATE	1	N/A
1001	794551-0	ABRASIVE BELT 76X457 WA80	1	N/A
1001	192691-2	ABRASIVE BELT SET(60,100,150)	1	N/A
1001	193957-3	ABRASIVE BELT SET	1	N/A
1002				N/A
1002	794551-0	ABRASIVE BELT 76X457 WA80	1	N/A
1002	824733-1	PLASTIC CARRYING CASE	1	N/A
1002.2	824982-0	PLASTIC CARRYING CASE	1	N/A
1003	824732-3	INNER TRAY	1	N/A
1003	837658-0	INNER TRAY	1	N/A
1003.2	837721-9	INNER TRAY	1	N/A
1004	794551-0	ABRASIVE BELT 76X457 WA80	1	N/A
1004	800X32-9	9911J INDICATION LABEL	1	N/A
1005	800X33-7	9911J PLASTIC CASE LABEL	2	N/A
1006	794551-0	ABRASIVE BELT 76X457 WA80	1	N/A
5002	645200-1	ODRUSOVACI KONDENZATOR	1	N/A
5002	645146-1	CAPACITOR 0.22 UF	1	N/A
5002.2	645146-1	CAPACITOR 0.22 UF	1	N/A
5003	652259-1	CLAMP WASHER	4	N/A
5006	824594-9	INNER TRAY	1	N/A
5007	824605-0	PLASTIC CARRYING CASE	1	N/A